

Air & Water[®]
TECHNOLOGY

Wizard-Kleen[®]

U.S. Patent No. 6,708,717 & U.S. Patent Pending

Model No. FDO-01B

Standard Water Hose Connection

Basic Economical Water Flushing System

An affordable, Earth-Friendly solution for cleaning and maintaining 3/4" A/C drainpipe pathways.

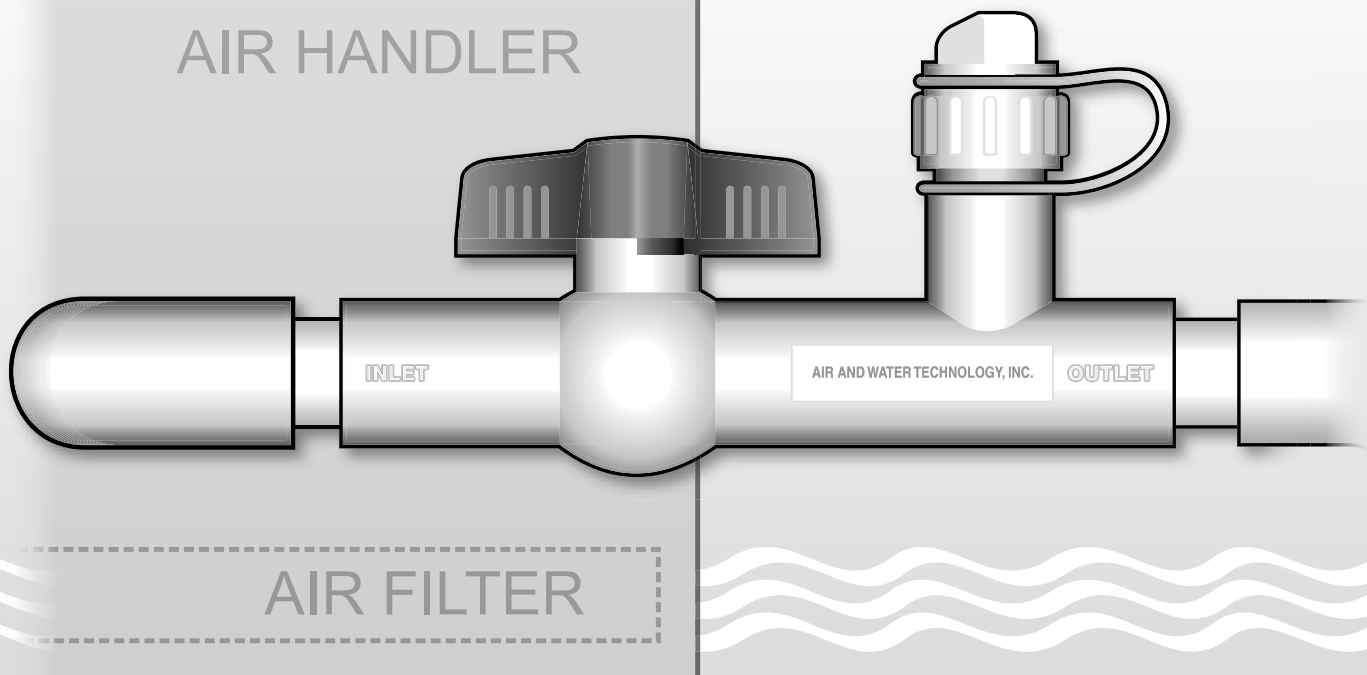
This product is also available with a Nitrogen Valve & Standard Water Hose Connection version (Model No. FDN-001). and an Air Tire Valve & Standard Water Hose Connection version (Model No. FDT-001).



The Wizard-Kleen[®] Flushing system is an environmentally friendly cleaning method which utilizes water — **WITHOUT THE USE OF CHEMICALS** — to flush sludge and slime from your A/C plumbing.

Wizard-Kleen[®] Benefits:

- Eliminates build up of algae, mold, fungus, mildew plus sludge & slime and odors.
- Reduces water damage from drain line back-up.
- Eliminates mess and unnecessary service calls.
- Easy to maintain — Saves time, labor and money.
- Uses no chemicals and is Environmentally Friendly.
- Can be mounted horizontally or vertically.
- Easily attaches to a standard water hose fitting.
- 1/4 turn ball valve prevents back flow into A/C unit.
- Made of durable white Schedule 40 PVC (polyvinyl chloride).
- For 3/4" residential and commercial use.
- A complimentary attachment to a new or existing air handler.
- No access needed to open air handler system.



Air and Water Technology is a manufacturer of specialty hardware for the HVAC/R and the plumbing industry.
See our web site at www.airwatertech.com

How Wizard-Kleen® Water Flushing was designed to work:

Wizard-Kleen® is a U.S. patent product made from durable PVC plastic and utilizes a hydro cleaning method for removing sludge and slime in A/C drain lines and is designed for both residential and commercial applications.

Residential Use: Wizard-Kleen® is designed for placement where the A/C air handler is in garages, basements, or where there is easy access to a water hose.

Commercial Use: Wizard-Kleen® is also designed for walk-in freezers or large coolers where it attaches to the outside unit drain lines for flushing pipes.

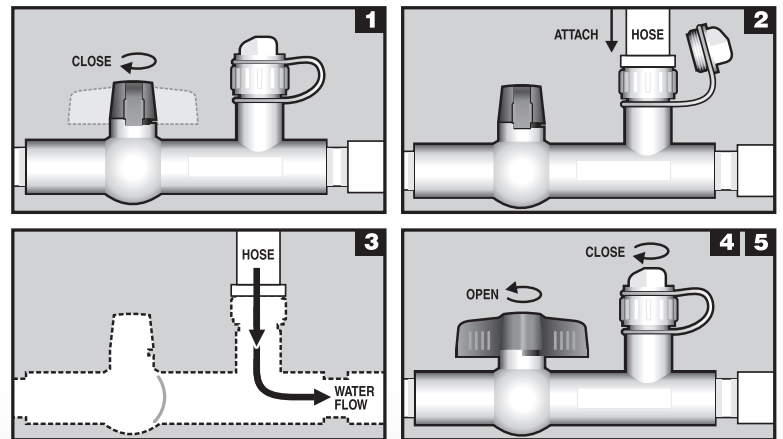
This simple product eliminates mess and does not require opening the air handler system, saving time and money.

General Water Flushing Instructions:

It is recommended to flush your A/C plumbing at the same time your filter is changed.

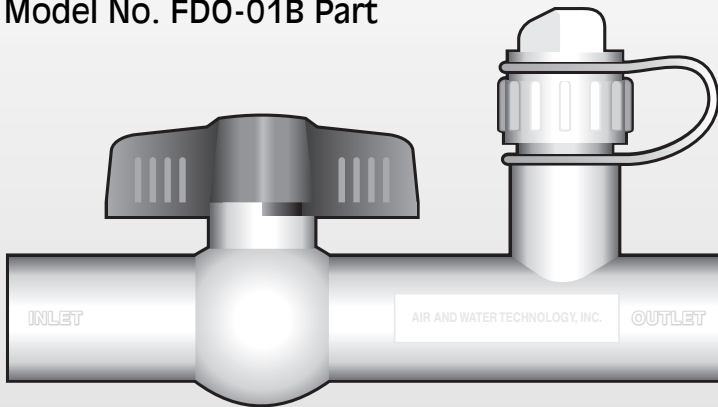
1. Close **main red valve** on Wizard-Kleen.® The handle will be perpendicular to the **Wizard-Kleen®** body.
2. Remove Wizard-Kleen® cap and attach your water hose.
3. Turn on water faucet to begin flushing water through A/C plumbing. Check your A/C drain pipe, located outside. Water will flow unobstructed and clean when flushing is complete.
4. Shut off water at faucet and remove hose from Wizard-Kleen.®
5. Replace Wizard-Kleen® cap and re-open main red valve.

It is also recommended to maintain a scheduled inspection of your A/C drain line pipe as needed for optimum drain performance especially during summer time operations.



Wizard-Kleen® Water Flushing System

Model No. FDO-01B Part



WIZARD-KLEEN® BODY (F34010)

Additional information for Water Flushing System:

Our Water Flushing system is ideal for operational uses especially after winter season cold or any time where A/C drain lines have been stagnant for some period or length of time.

It eliminates and removes buildup blockages that can occur such as dirt or the removal of any insects and their nests from your residential or commercial A/C drain line that would result in drainpipe water backup damage for Air Conditioning start-up.

This product is friendly and works with other manufacturer's electronic A/C emergency water detection systems on the market.

Our company motto is simple:

"Offer safe, easy and reliable solutions for the HVAC/R and plumbing Industry."

2293 West 76th Street • Hialeah, FL 33016 • 305 823-8191 • fax: 305 823-8192

www.airwatertech.com